



DISTRIBUTION DESIGN

CATALOGUE

Section 05

**AB – Low Voltage ABC**

HPC-1DC-07-0005-2014

For application to  
Horizon Power  
Electricity Distribution Networks

| Document Control                 |  |  |
|----------------------------------|--|--|
| <b>Rev 6 Author</b>              | <b>Name:</b> Samuel Liau<br><b>Position:</b> Standards Engineer                                  |  |
| <b>Reviewed</b>                  | <b>Name:</b> Andrew Nguyen<br><b>Position:</b> Standards Engineer                                |  |
| <b>Endorsed by</b>               | <b>Name:</b> Sandeep Magan<br><b>Position:</b> Engineering Services Manager / Principal Engineer |  |
| <b>Approved By</b>               | <b>Name:</b> Marc Beckx<br><b>Position:</b> Manager Engineering and Project Services             |  |
| <b>Date Created/Last Updated</b> | 23 June 2020   |  |
| <b>Review Frequency **</b>       | Annually   |  |
| <b>Next Review Date **</b>       | 23 June 2021   |  |

*\*\* Frequency period is dependent upon circumstances– maximum is 5 years from last issue, review, or revision whichever is the latest. If left blank, the default shall be 1 year unless otherwise specified.*

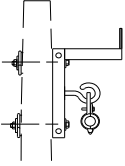
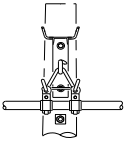
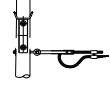
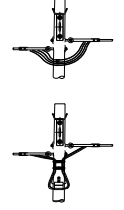
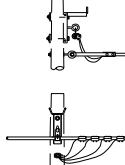
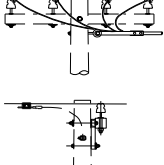
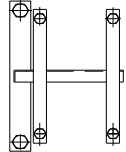
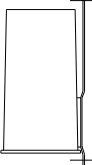
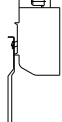
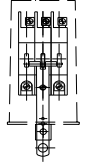
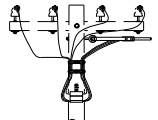
| Revision Control |            |   |
|------------------|------------|---|
| Revision         | Date       | Description   |
| 6                | 23/06/2020 | Reviewed – Update CUs. Ellipse updated to reflect catalogue |

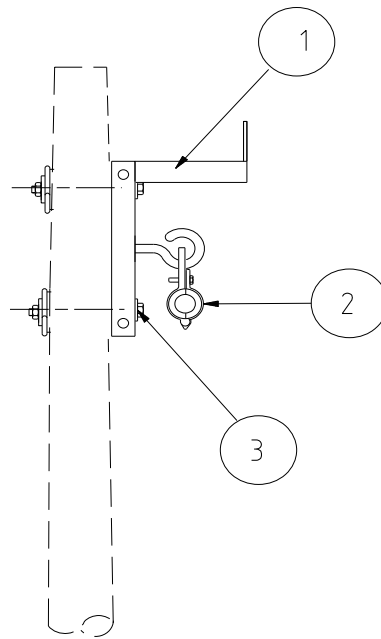
*Refer to Appendix A for Full Revision History.*

| <b>STAKEHOLDERS</b><br>The following positions shall be consulted if an update or review is required: | <b>NOTIFICATION LIST</b><br>The following positions shall be notified of any authorised change: |
|---|---|
| <b>Asset Managers</b>   | <b>Field Practice Coordinators</b>  |
| <b>Works Delivery Managers</b>  | <b>Logistics Managers</b>   |
| <b>Asset Service Delivery Managers</b>  | <b>EPCM Contracts Manager</b>   |

## LOW VOLTAGE ABC LIST

| CU                         | CU DESCRIPTION                             |
|----------------------------|--|
| <a href="#">AB1_95</a>     | Intermediate and angle 0 to 25_95          |
| <a href="#">AB1_150</a>    | Intermediate and angle 0 to 25_150         |
| <a href="#">AB2_95</a>     | Angle 26 to 50 _95                         |
| <a href="#">AB2_150</a>    | Angle 26 to 50 _150                        |
| <a href="#">AB3_95</a>     | Termination_95                             |
| <a href="#">AB3_150</a>    | Termination_150                            |
| <a href="#">AB4_95</a>     | Inline strain_95                           |
| <a href="#">AB4_150</a>    | Inline strain_150                          |
| <a href="#">AB4_95F</a>    | Inline strain with FSDO                    |
| <a href="#">AB4_150F</a>   | Inline strain with FSDO                    |
| <a href="#">AB5_95</a>     | Tee off _95                                |
| <a href="#">AB5_150</a>    | Tee off _150                               |
| <a href="#">AB6_95AL</a>   | Tee off-LV bare_aluminium to ABC 95        |
| <a href="#">AB6_95CU</a>   | Tee off-LV bare_copper to ABC 95           |
| <a href="#">AB6_150AL</a>  | Tee off-LV bare_aluminium to ABC 150       |
| <a href="#">AB6_150CU</a>  | Tee off-LV bare_copper to ABC 150          |
| <a href="#">AB11</a>       | Circuit breaker mounting bracket           |
| <a href="#">AB12</a>       | Circuit breaker box                        |
| <a href="#">AB13</a>       | Circuit breaker 1 phase                    |
| <a href="#">AB14</a>       | Circuit breaker 3 phase with box           |
| <a href="#">AB18_95AL</a>  | Tee off-LV bare_aluminium to fused ABC 95  |
| <a href="#">AB18_95CU</a>  | Tee off-LV bare_copper to fused ABC 95     |
| <a href="#">AB18_150AL</a> | Tee off-LV bare_aluminium to fused ABC 150 |
| <a href="#">AB18_150CU</a> | Tee off-LV bare_copper to fused ABC 150    |

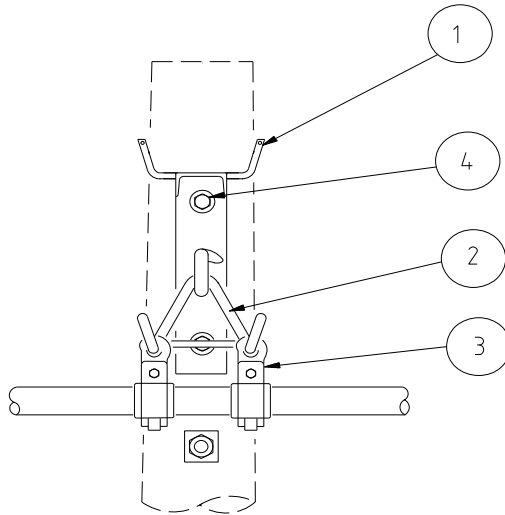
|  |   |  |  |                  |
|--|---|--|--|------------------|
|  <p>INTERMEDIATE<br/>AND ANGLE 0 TO 25<br/>AB 1</p> |  <p>ANGLE 26 TO 50<br/>AB 2</p>                |  <p>TERMINATION<br/>AB 3</p>                        |  <p>INLINE STRAIN<br/>AB 4</p>            |                  |
|  <p>TEE OFF<br/>AB 5</p>                            |  <p>TEE OFF LV BARE<br/>AB 6</p>               |  <p>CIRCUIT BREAKER<br/>BRACKET<br/>AB 11</p>       |  <p>CIRCUIT BREAKER<br/>BOX<br/>AB 12</p> |                  |
|  <p>CIRCUIT BREAKER<br/>1 PHASE<br/>AB 13</p>      |  <p>CIRCUIT BREAKER<br/>3 PHASE<br/>AB 14</p> |  <p>TEE OFF LV BARE<br/>FUSED LVABC<br/>AB 18</p> |  |                  |
| <p><b>HORIZON</b><br/><b>POWER</b></p> <p>DISTRIBUTION DESIGN<br/>CATALOGUE</p> <p>OPERATIONS DIVISION</p>                           | <p>COMPATIBLE UNIT</p>  | <table border="1"> <tr> <td>REVISION<br/>3</td> <td>DATE<br/>FEB 2020</td> </tr> </table>  | REVISION<br>3  | DATE<br>FEB 2020 |
| REVISION<br>3  | DATE<br>FEB 2020  |  |  |                  |
| <p>AB COMPATABLE UNITS</p>   | <table border="1"> <tr> <td>DRAWING No<br/>AB IN</td> </tr> </table>  |  | DRAWING No<br>AB IN  |                  |
| DRAWING No<br>AB IN  |   |  |  |                  |



|  |  |                   |                  |
|--|--|-------------------|------------------|
| <p><b>HORIZON</b><br/><b>POWER</b></p> <p>DISTRIBUTION DESIGN<br/>CATALOGUE</p> <p>OPERATIONS DIVISION</p> | COMPATIBLE UNIT                        | REVISION<br>2     | DATE<br>06/02/20 |
|  | INTERMEDIATE & ANGLE<br>0 - 25 DEGREES | DRAWING No<br>AB1 |                  |

| CU          |              | CU DESCRIPTION                                   |         |                 |         |
|-------------|--------------|--|---------|-----------------|---------|
| AB1_95      |              | Intermediate and angle 0 to 25_95                |         |                 |         |
| ITEM NUMBER | STOCK NUMBER | DESCRIPTION                                      | QTY RQD | UNIT OF MEASURE | REMARKS |
| 1           | CB3020       | Universal bracket                                | 1       | ea              |         |
| 2           | CC0101       | Suspension clamp, 95 ABC                         | 1       | ea              |         |
| 3           | AB6733       | Pole bolt M16 x 400 mm long with nut and washers | 2       | ea              |         |

| CU          |              | CU DESCRIPTION                                   |         |                 |         |
|-------------|--------------|--|---------|-----------------|---------|
| AB1_150     |              | Intermediate and angle 0 to 25_150               |         |                 |         |
| ITEM NUMBER | STOCK NUMBER | DESCRIPTION                                      | QTY RQD | UNIT OF MEASURE | REMARKS |
| 1           | CB3020       | Universal bracket                                | 1       | ea              |         |
| 2           | CC0110       | Suspension clamp, 150 ABC                        | 1       | ea              |         |
| 3           | AB6733       | Pole bolt M16 x 400 mm long with nut and washers | 2       | ea              |         |

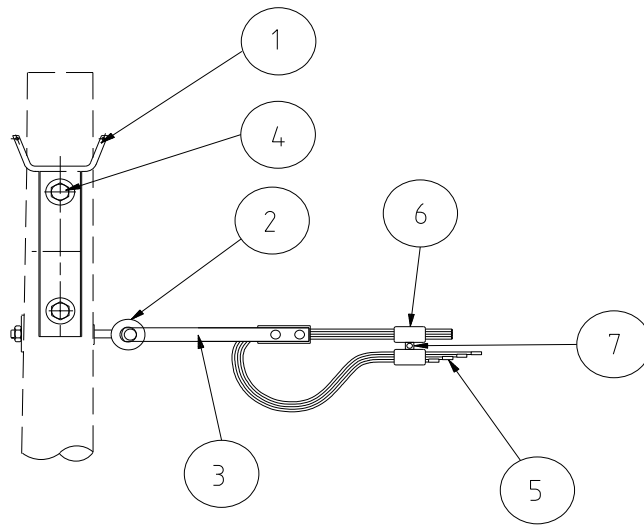


|  |                          |                   |                  |
|--|--------------------------|-------------------|------------------|
| <p><b>HORIZON</b><br/><b>POWER</b></p> <p>DISTRIBUTION DESIGN<br/>CATALOGUE</p> <p>OPERATIONS DIVISION</p> | COMPATIBLE UNIT          | REVISION<br>2     | DATE<br>06/02/20 |
|  | ANGLE<br>26 - 50 DEGREES | DRAWING No<br>AB2 |                  |

| CU          |              | CU DESCRIPTION                                   |         |                 |         |
|-------------|--------------|--|---------|-----------------|---------|
| AB2_95      |              | Angle 26 to 50_95                                |         |                 |         |
| ITEM NUMBER | STOCK NUMBER | DESCRIPTION                                      | QTY RQD | UNIT OF MEASURE | REMARKS |
| 1           | CB3020       | Universal bracket                                | 1       | ea              |         |
| 2           | CC0090       | Hanger yoke                                      | 1       | ea              |         |
| 3           | CC0101       | Suspension clamp, 95 ABC                         | 2       | ea              |         |
| 4           | AB6733       | Pole bolt M16 x 400 mm long with nut and washers | 2       | ea              |         |

| CU          |              | CU DESCRIPTION                                   |         |                 |         |
|-------------|--------------|--|---------|-----------------|---------|
| AB2_150     |              | Angle 26 to 50_150                               |         |                 |         |
| ITEM NUMBER | STOCK NUMBER | DESCRIPTION                                      | QTY RQD | UNIT OF MEASURE | REMARKS |
| 1           | CB3020       | Universal bracket                                | 1       | ea              |         |
| 2           | CC0090       | Hanger yoke                                      | 1       | ea              |         |
| 3           | CC0110       | Suspension clamp, 150 ABC                        | 2       | ea              |         |
| 4           | AB6733       | Pole bolt M16 x 400 mm long with nut and washers | 2       | ea              |         |

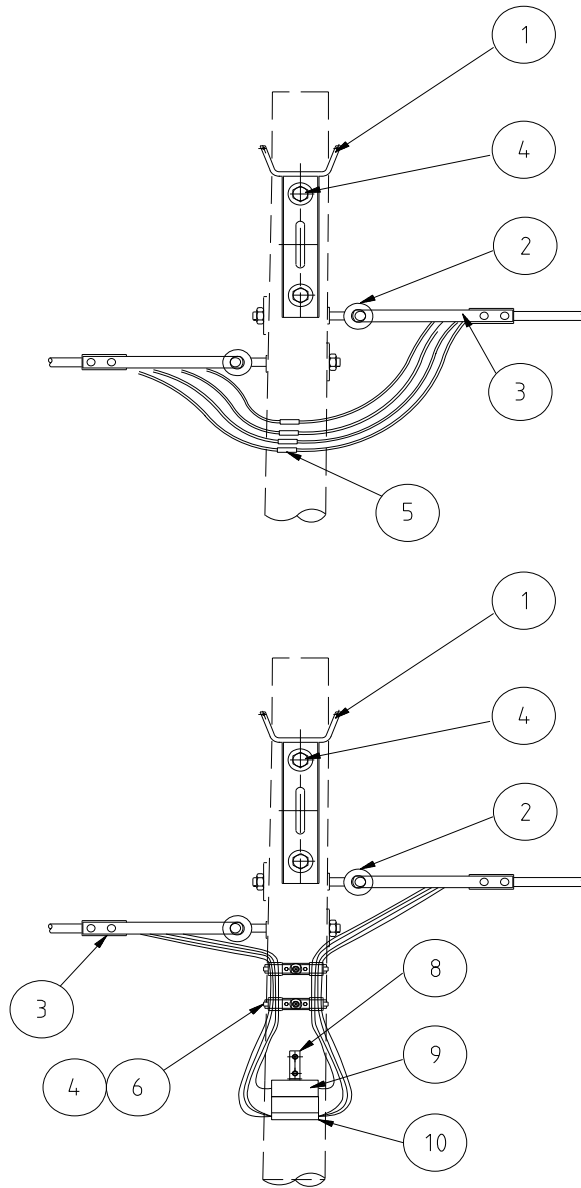




|  |                 |                    |                  |
|--|-----------------|--------------------|------------------|
| <p><b>HORIZON</b><br/><b>POWER</b></p> <p>DISTRIBUTION DESIGN<br/>CATALOGUE</p> <p>OPERATIONS DIVISION</p> | COMPATIBLE UNIT | REVISION<br>3      | DATE<br>FEB 2020 |
|  | TERMINATION     | DRAWING No.<br>AB3 |                  |

| CU          |              | CU DESCRIPTION                                    |         |                 |         |
|-------------|--------------|---|---------|-----------------|---------|
| AB3_95      |              | Termination_95                                    |         |                 |         |
| ITEM NUMBER | STOCK NUMBER | DESCRIPTION                                       | QTY RQD | UNIT OF MEASURE | REMARKS |
| 1           | CB3020       | Universal bracket                                 | 1       | ea              |         |
| 2           | AB6024       | Eyebolt-16dia x 350 mm long with nut and washer   | 1       | ea              |         |
| 3           | CC0100       | Strain clamp, 95-150 ABC                          | 1       | ea              |         |
| 4           | AB6733       | Pole bolt M16 x 400 mm long with nut and washers  | 2       | ea              |         |
| 5           | CJ0063       | End caps push on 95mm <sup>2</sup>                | 4       | ea              |         |
| 6           | CC0101       | Suspension clamp, 95 ABC                          | 2       | ea              |         |
| 7           | AB4600       | Bolt, Machine; M16 X 50mm Class 4.6 Galv with Nut | 1       | ea              |         |

| CU          |              | CU DESCRIPTION                                    |         |                 |         |
|-------------|--------------|---|---------|-----------------|---------|
| AB3_150     |              | Termination_150                                   |         |                 |         |
| ITEM NUMBER | STOCK NUMBER | DESCRIPTION                                       | QTY RQD | UNIT OF MEASURE | REMARKS |
| 1           | CB3020       | Universal bracket                                 | 1       | ea              |         |
| 2           | AB6024       | Eyebolt-16dia x 350 mm long with nut and washer   | 1       | ea              |         |
| 3           | CC0100       | Strain clamp, 95-150 ABC                          | 1       | ea              |         |
| 4           | AB6733       | Pole bolt M16 x 400 mm long with nut and washers  | 2       | ea              |         |
| 5           | CJ0062       | End caps push on 150mm <sup>2</sup>               | 4       | ea              |         |
| 6           | CC0110       | Suspension clamp, 150 ABC                         | 2       | ea              |         |
| 7           | AB4600       | Bolt, Machine; M16 X 50mm Class 4.6 Galv with Nut | 1       | ea              |         |



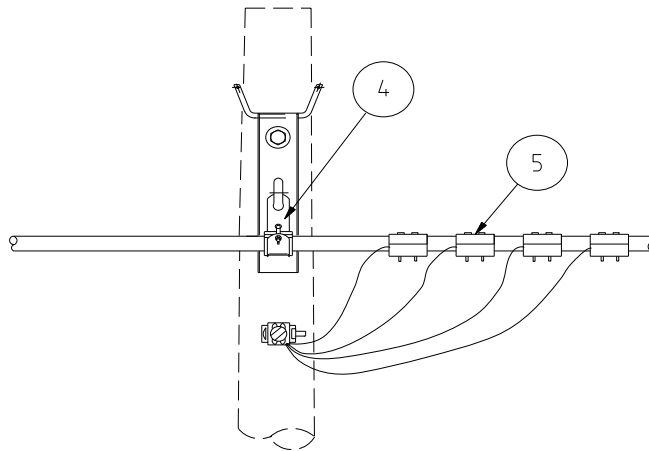
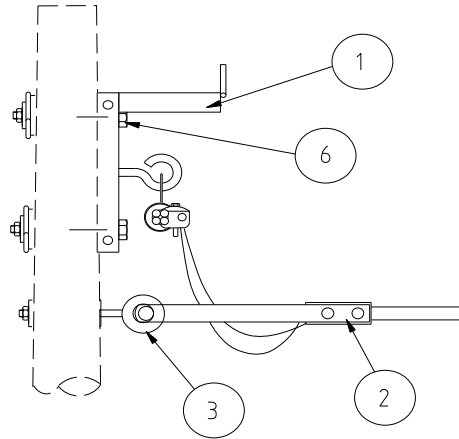
|  |  |                   |                  |
|--|--|-------------------|------------------|
| <p><b>HORIZON</b><br/><b>POWER</b></p> <p>DISTRIBUTION DESIGN<br/>CATALOGUE</p> <p>OPERATIONS DIVISION</p> | COMPATIBLE UNIT                              | REVISION<br>3     | DATE<br>FEB 2020 |
|  | <p>INLINE STRAIN<br/>WITHOUT / WITH FSDO</p> | DRAWING No<br>AB4 |                  |

| CU          |              | CU DESCRIPTION                                   |         |                 |         |
|-------------|--------------|--|---------|-----------------|---------|
| AB4_95      |              | Inline strain_95                                 |         |                 |         |
| ITEM NUMBER | STOCK NUMBER | DESCRIPTION                                      | QTY RQD | UNIT OF MEASURE | REMARKS |
| 1           | CB3020       | Universal bracket                                | 1       | ea              |         |
| 2           | AB6024       | Eyebolt-16dia x 350 mm long with nut and washer  | 2       | ea              |         |
| 3           | CC0100       | Strain clamp, 95-150 ABC                         | 2       | ea              |         |
| 4           | AB6733       | Pole bolt M16 x 400 mm long with nut and washers | 2       | ea              |         |
| 5           | CJ0491       | Full tension sleeve – 95 ABC                     | 4       | ea              |         |

| CU          |              | CU DESCRIPTION                                   |         |                 |         |
|-------------|--------------|--|---------|-----------------|---------|
| AB4_150     |              | Inline strain_150                                |         |                 |         |
| ITEM NUMBER | STOCK NUMBER | DESCRIPTION                                      | QTY RQD | UNIT OF MEASURE | REMARKS |
| 1           | CB3020       | Universal bracket                                | 1       | ea              |         |
| 2           | AB6024       | Eyebolt-16dia x 350 mm long with nut and washer  | 2       | ea              |         |
| 3           | CC0100       | Strain clamp, 95-150 ABC                         | 2       | ea              |         |
| 4           | AB6733       | Pole bolt M16 x 400 mm long with nut and washers | 2       | ea              |         |
| 5           | CJ0490       | Full tension sleeve – 150 ABC                    | 4       | ea              |         |

| CU          |              | CU DESCRIPTION                                   |         |                 |            |
|-------------|--------------|--|---------|-----------------|------------|
| AB4_95F     |              | Inline strain_95 with FSDO                       |         |                 |            |
| ITEM NUMBER | STOCK NUMBER | DESCRIPTION                                      | QTY RQD | UNIT OF MEASURE | REMARKS    |
| 1           | CB3020       | Universal bracket                                | 1       | ea              |            |
| 2           | AB6024       | Eyebolt-16dia x 350 mm long with nut and washer  | 2       | ea              |            |
| 3           | CC0100       | Strain clamp, 95-150 ABC                         | 2       | ea              |            |
| 4           | AB6733       | Pole bolt M16 x 400 mm long with nut and washers | 2       | ea              |            |
| 6           | CC0101       | Suspension clamp, 95 ABC                         | 4       | ea              |            |
| 7           | CB3055       | Transformer harness support bracket              | 2       | ea              |            |
| 7           | N/A          | Bandit Strap (19 mm) (not included in CU)        | -       | N/A             | Truck item |
| 8           | AB6736       | Pole bolt M12 x 400 mm long with nut and washers | 2       | ea              |            |
| 9           | GS0109       | Neutral Block                                    | 1       | ea              |            |
| 10          | GS0111       | Fuse disconnecter (Rated 400A)                   | 1       | ea              |            |

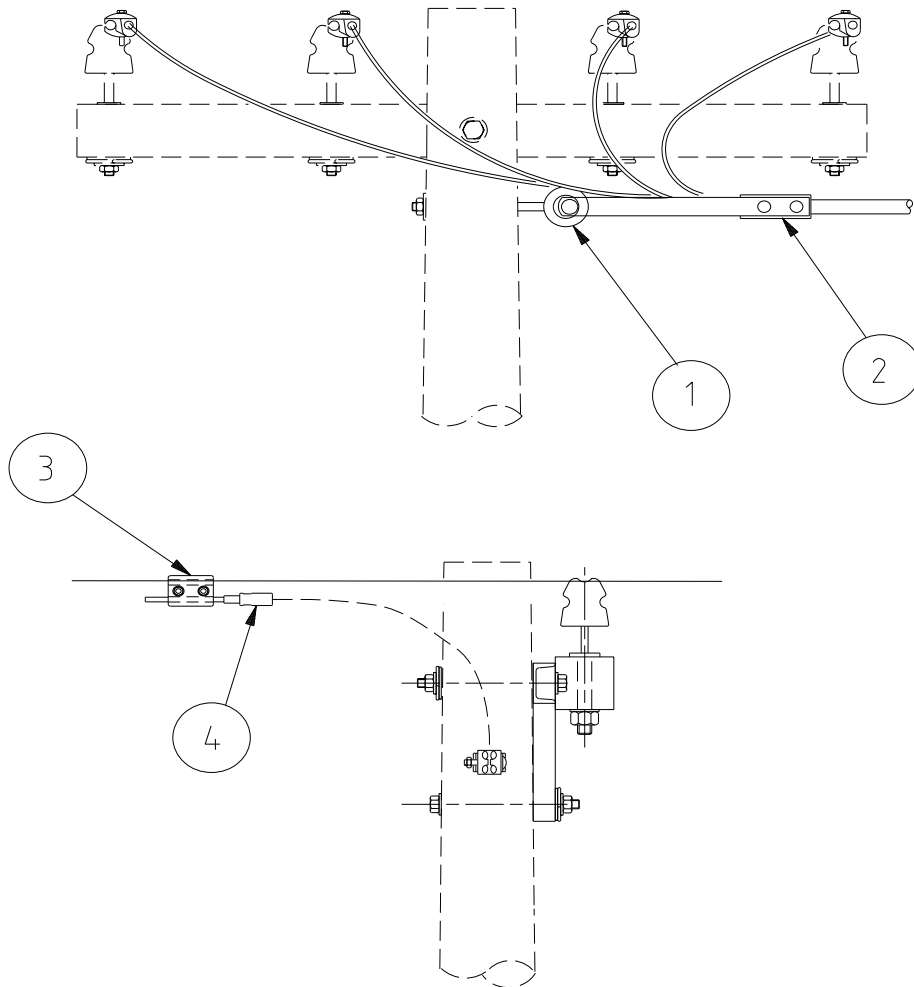
| CU          |              | CU DESCRIPTION                                   |         |                 |            |
|-------------|--------------|--|---------|-----------------|------------|
| AB4_150F    |              | Inline strain_150 with FSDO                      |         |                 |            |
| ITEM NUMBER | STOCK NUMBER | DESCRIPTION                                      | QTY RQD | UNIT OF MEASURE | REMARKS    |
| 1           | CB3020       | Universal bracket                                | 1       | ea              |            |
| 2           | AB6024       | Eyebolt-16dia x 350 mm long with nut and washer  | 2       | ea              |            |
| 3           | CC0100       | Strain clamp, 95-150 ABC                         | 2       | ea              |            |
| 4           | AB6733       | Pole bolt M16 x 400 mm long with nut and washers | 2       | ea              |            |
| 6           | CC0110       | Suspension clamp, 150 ABC                        | 4       | ea              |            |
| 7           | CB3055       | Transformer harness support bracket              | 2       | ea              |            |
| 7           | N/A          | Bandit Strap (19 mm) (not included in CU)        | -       | N/A             | Truck item |
| 8           | AB6736       | Pole bolt M12 x 400 mm long with nut and washers | 2       | ea              |            |
| 9           | GS0109       | Neutral Block                                    | 1       | ea              |            |
| 10          | GS0111       | Fuse disconnecter (Rated 400A)                   | 1       | ea              |            |



|  |                 |                    |                  |
|--|-----------------|--------------------|------------------|
| <p><b>HORIZON</b><br/><b>POWER</b></p> <p>DISTRIBUTION DESIGN<br/>CATALOGUE</p> <p>OPERATIONS DIVISION</p> | COMPATIBLE UNIT | REVISION<br>3      | DATE<br>FEB 2020 |
|  | TEE OFF         | DRAWING No.<br>AB5 |                  |

| CU          |              | CU DESCRIPTION                                     |         |                 |         |
|-------------|--------------|--|---------|-----------------|---------|
| AB5_95      |              | Tee off_95   |         |                 |         |
| ITEM NUMBER | STOCK NUMBER | DESCRIPTION  | QTY RQD | UNIT OF MEASURE | REMARKS |
| 1           | CB3020       | Universal bracket                                  | 1       | ea              |         |
| 2           | CC0100       | Strain clamp, 95-150 ABC                           | 1       | ea              |         |
| 3           | AB6024       | Eyebolt - 16 dia x 350 mm long with nut and washer | 1       | ea              |         |
| 4           | CC0101       | Suspension clamp, 95 ABC                           | 1       | ea              |         |
| 5           | CC0080       | Insulation piercing clamp, 95 ABC                  | 4       | ea              |         |
| 6           | AB6733       | Pole bolt M16 x 400 mm long with nut and washers   | 2       | ea              |         |

| CU          |              | CU DESCRIPTION                                     |         |                 |         |
|-------------|--------------|--|---------|-----------------|---------|
| AB5_150     |              | Tee off_150  |         |                 |         |
| ITEM NUMBER | STOCK NUMBER | DESCRIPTION  | QTY RQD | UNIT OF MEASURE | REMARKS |
| 1           | CB3020       | Universal bracket                                  | 1       | ea              |         |
| 2           | CC0100       | Strain clamp, 95-150 ABC                           | 1       | ea              |         |
| 3           | AB6024       | Eyebolt - 16 dia x 350 mm long with nut and washer | 1       | ea              |         |
| 4           | CC0110       | Suspension clamp, 150 ABC                          | 1       | ea              |         |
| 5           | CC0081       | Insulation piercing clamp, 150 ABC                 | 4       | ea              |         |
| 6           | AB6733       | Pole bolt M16 x 400 mm long with nut and washers   | 2       | ea              |         |



|  |                           |                   |                  |
|--|---------------------------|-------------------|------------------|
| <b>HORIZON</b><br>POWER<br>DISTRIBUTION DESIGN<br>CATALOGUE<br>OPERATIONS DIVISION | COMPATIBLE UNIT           | REVISION<br>3     | DATE<br>FEB 2020 |
|  | TEE OFF<br>LV BARE TO ABC | DRAWING No<br>AB6 |                  |

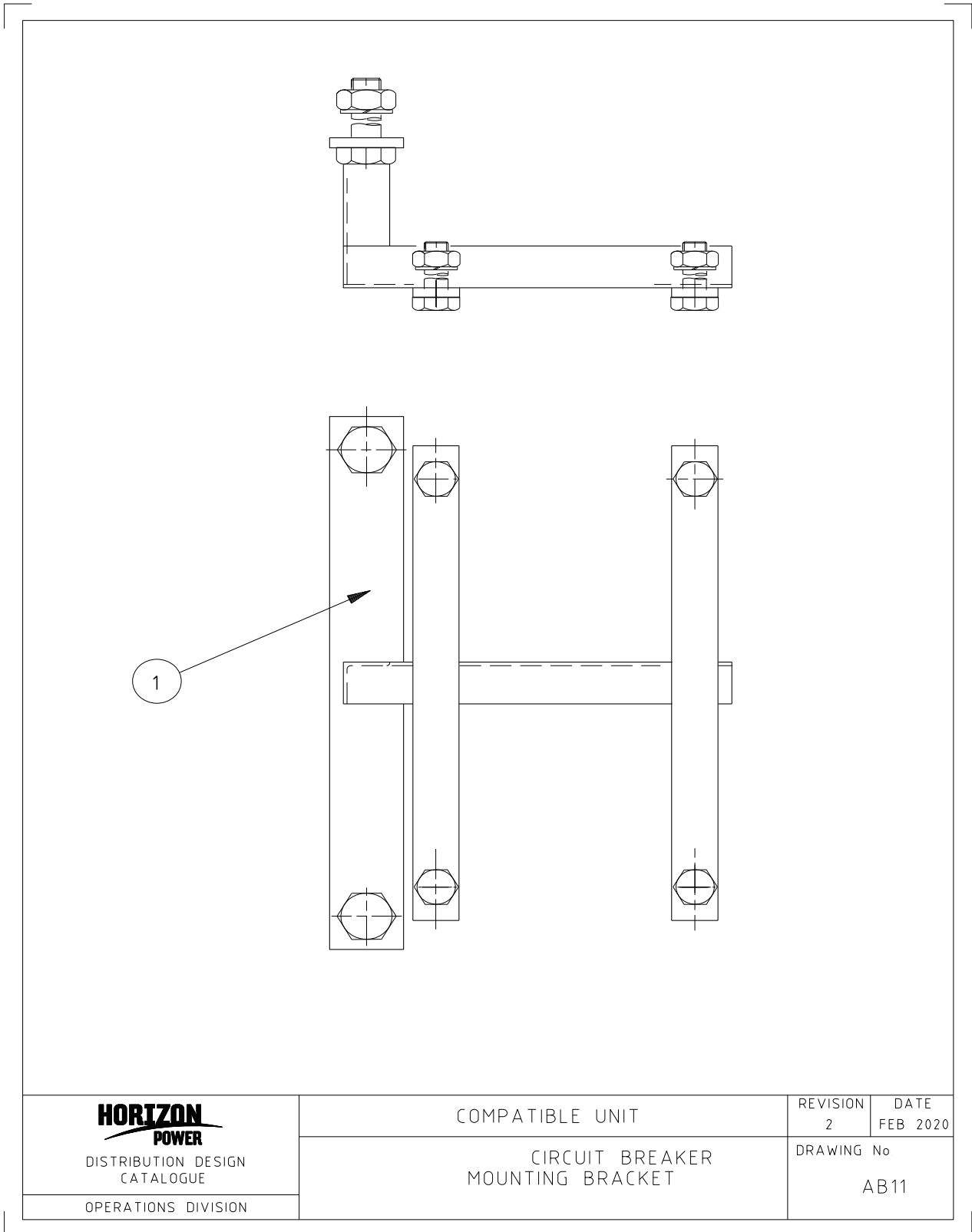


| CU          |              | CU DESCRIPTION                                     |         |                 |         |
|-------------|--------------|--|---------|-----------------|---------|
| AB6_95AL    |              | Tee off-LV bare_aluminium to ABC 95                |         |                 |         |
| ITEM NUMBER | STOCK NUMBER | DESCRIPTION  | QTY RQD | UNIT OF MEASURE | REMARKS |
| 1           | AB6024       | Eyebolt - 16 dia x 350 mm long with nut and washer | 1       | ea              |         |
| 2           | CC0100       | Strain clamp, 95-150 ABC                           | 1       | ea              |         |
| 3           | CC0138       | Parallel-groove clamp Al-Al                        | 4       | ea              |         |
| 4           | CJ0494       | Splice 95 ABC with Al tail                         | 4       | ea              |         |

| CU          |              | CU DESCRIPTION                                     |         |                 |         |
|-------------|--------------|--|---------|-----------------|---------|
| AB6_95CU    |              | Tee off-LV bare_copper to ABC 95                   |         |                 |         |
| ITEM NUMBER | STOCK NUMBER | DESCRIPTION  | QTY RQD | UNIT OF MEASURE | REMARKS |
| 1           | AB6024       | Eyebolt - 16 dia x 350 mm long with nut and washer | 1       | ea              |         |
| 2           | CC0100       | Strain clamp, 95-150 ABC                           | 1       | ea              |         |
| 3           | CC0130       | Parallel-groove clamp Cu-Cu                        | 8       | ea              |         |
| 4           | CJ0492       | Splice 95 ABC with Cu tail                         | 4       | ea              |         |

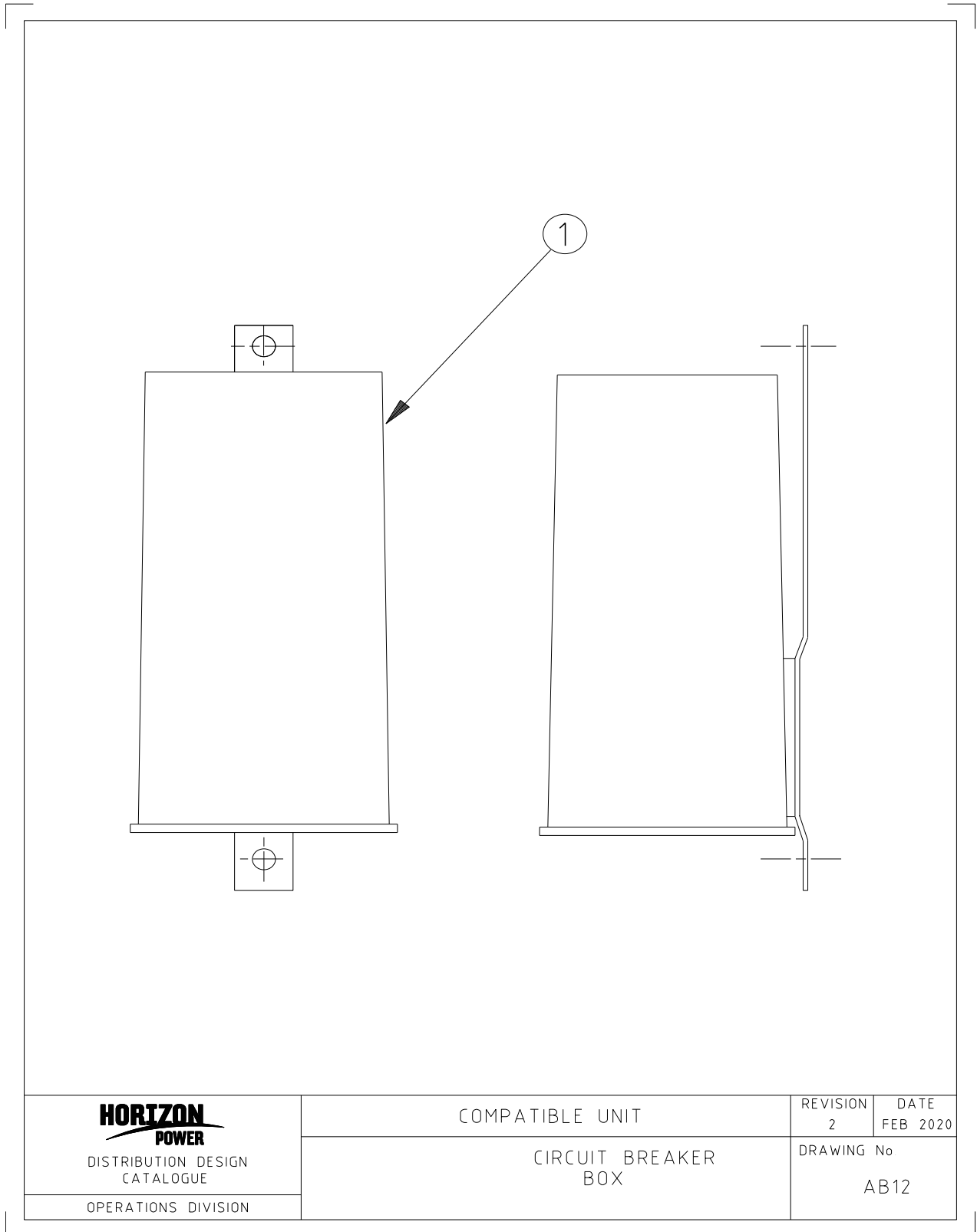
| CU          |              | CU DESCRIPTION                                     |         |                 |         |
|-------------|--------------|--|---------|-----------------|---------|
| AB6_150AL   |              | Tee off-LV bare_aluminium to ABC 150               |         |                 |         |
| ITEM NUMBER | STOCK NUMBER | DESCRIPTION  | QTY RQD | UNIT OF MEASURE | REMARKS |
| 1           | AB6024       | Eyebolt - 16 dia x 350 mm long with nut and washer | 1       | ea              |         |
| 2           | CC0100       | Strain clamp, 95-150 ABC                           | 1       | ea              |         |
| 3           | CC0138       | Parallel-groove clamp Al-Al                        | 4       | ea              |         |
| 4           | CJ0496       | Splice 150 ABC with Al tail                        | 4       | ea              |         |

| CU          |              | CU DESCRIPTION                                     |         |                 |         |
|-------------|--------------|--|---------|-----------------|---------|
| AB6_150CU   |              | Tee off-LV bare_copper to ABC 150                  |         |                 |         |
| ITEM NUMBER | STOCK NUMBER | DESCRIPTION  | QTY RQD | UNIT OF MEASURE | REMARKS |
| 1           | AB6024       | Eyebolt - 16 dia x 350 mm long with nut and washer | 1       | ea              |         |
| 2           | CC0100       | Strain clamp, 95-150 ABC                           | 1       | ea              |         |
| 3           | CC0130       | Parallel-groove clamp Cu-Cu                        | 8       | ea              |         |
| 4           | CJ0493       | Splice 150 ABC with Cu tail                        | 4       | ea              |         |

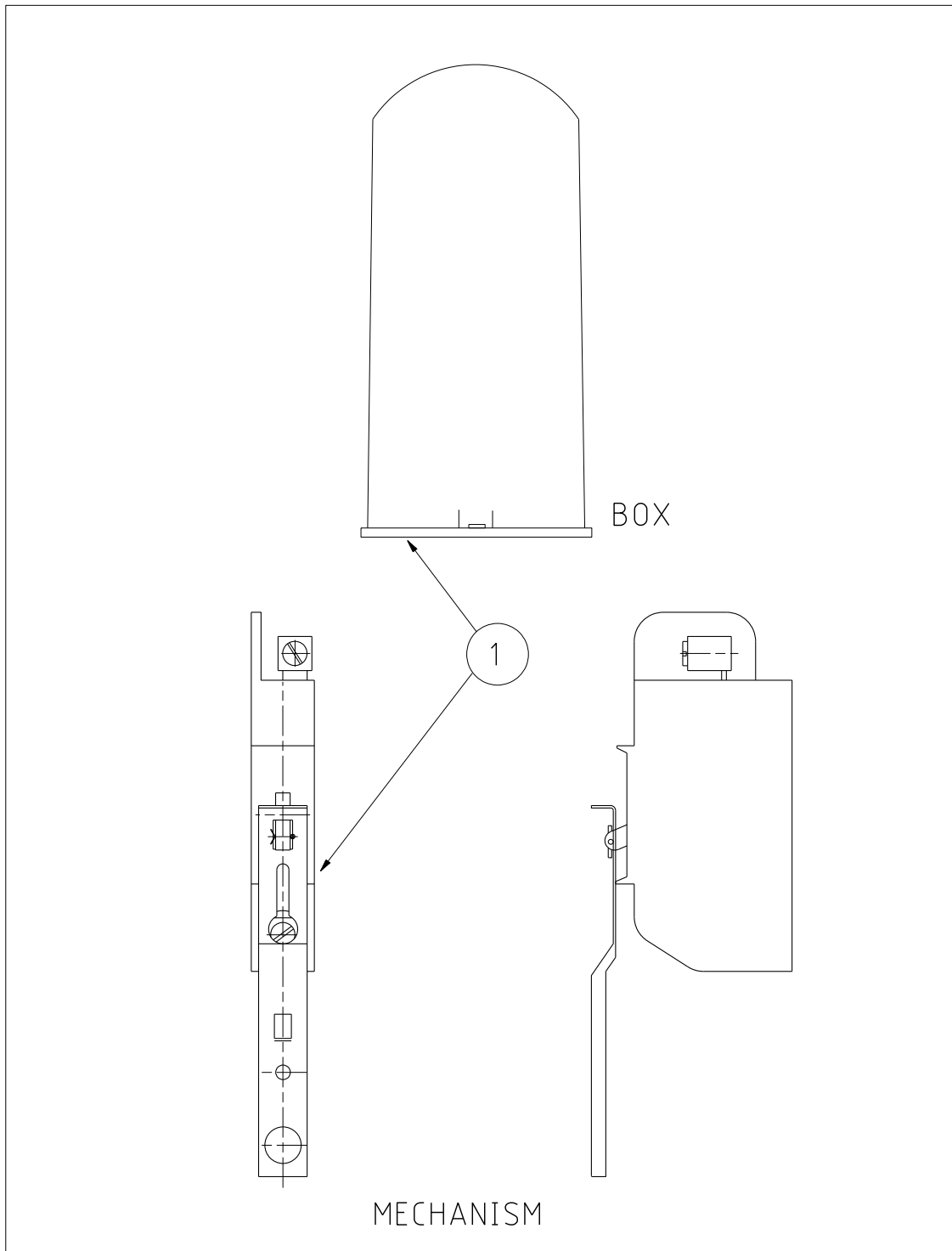


|  |                                     |                    |                  |
|--|-------------------------------------|--------------------|------------------|
| <p><b>HORIZON</b><br/><b>POWER</b></p> <p>DISTRIBUTION DESIGN<br/>CATALOGUE</p> <p>OPERATIONS DIVISION</p> | COMPATIBLE UNIT                     | REVISION<br>2      | DATE<br>FEB 2020 |
|  | CIRCUIT BREAKER<br>MOUNTING BRACKET | DRAWING No<br>AB11 |                  |

| CU          |              | CU DESCRIPTION                                       |         |                 |         |
|-------------|--------------|--|---------|-----------------|---------|
| AB11        |              | Circuit breaker mounting bracket                     |         |                 |         |
| ITEM NUMBER | STOCK NUMBER | DESCRIPTION  | QTY RQD | UNIT OF MEASURE | REMARKS |
| 1           | CR1026       | Circuit breaker mounting bracket with nuts and bolts | 1       | ea              |         |

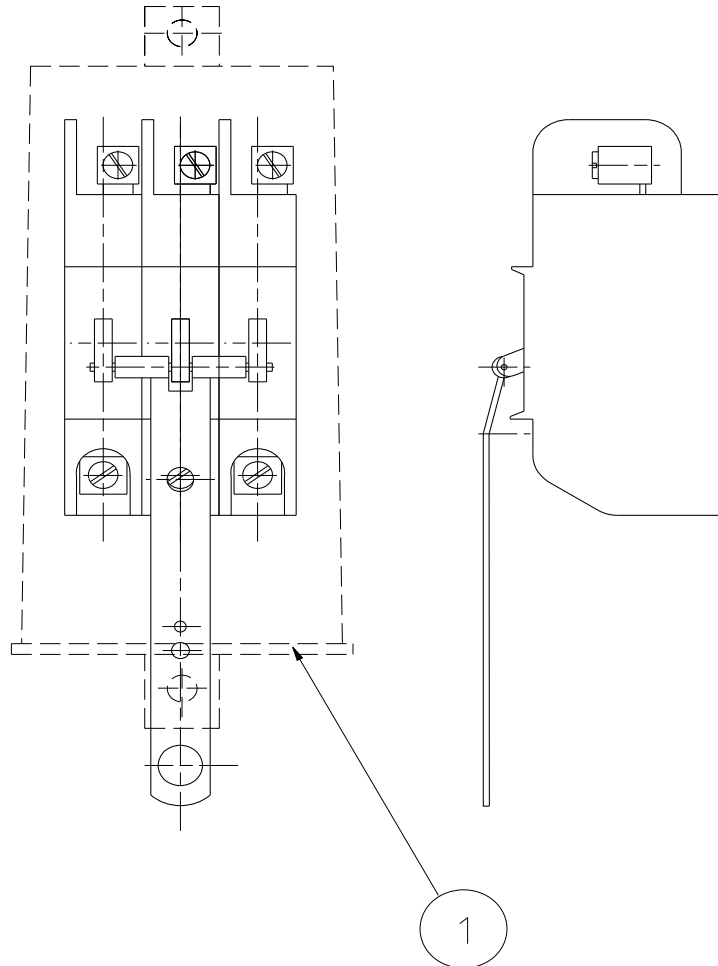


| CU          |              | CU DESCRIPTION      |         |                 |         |
|-------------|--------------|---------------------|---------|-----------------|---------|
| AB12        |              | Circuit breaker box |         |                 |         |
| ITEM NUMBER | STOCK NUMBER | DESCRIPTION         | QTY RQD | UNIT OF MEASURE | REMARKS |
| 1           | FB0602       | Circuit breaker box | 1       | ea              |         |



|  |                                     |                     |                    |
|--|-------------------------------------|---------------------|--------------------|
| <p><b>HORIZON</b><br/><b>POWER</b></p> <p>DISTRIBUTION DESIGN<br/>CATALOGUE</p> <p>OPERATIONS DIVISION</p> | COMPATIBLE UNIT                     | REVISION<br>2       | DATE<br>18/06/2020 |
|  | 1 PHASE<br>CIRCUIT BREAKER WITH BOX | DRAWING No.<br>AB13 |                    |

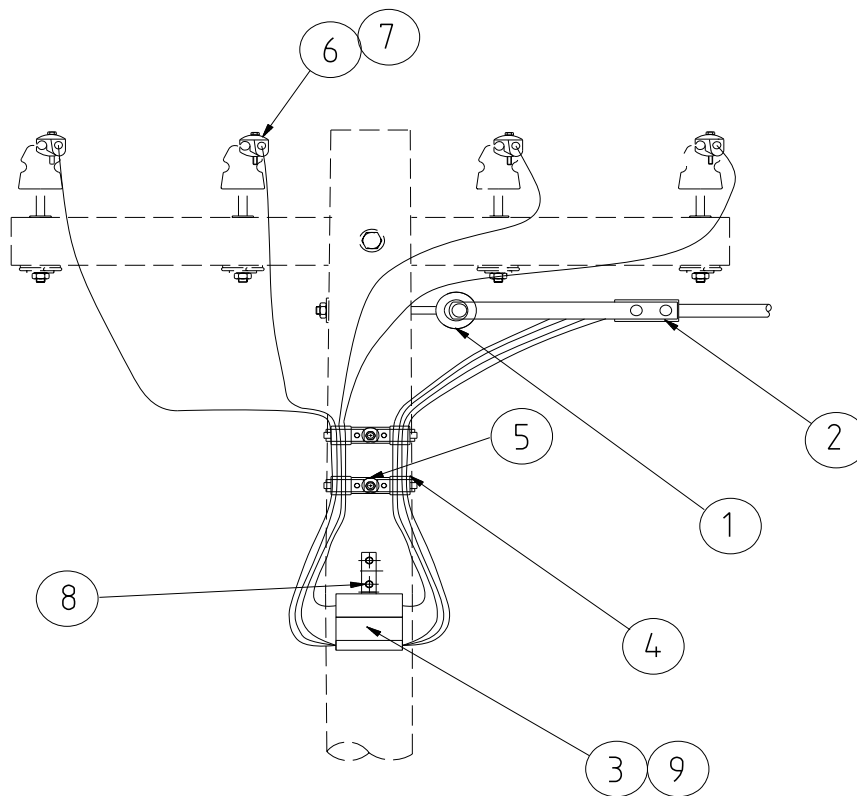
| CU          |              | CU DESCRIPTION  |         |                 |         |
|-------------|--------------|---|---------|-----------------|---------|
| AB13        |              | Circuit breaker 1 phase with box  |         |                 |         |
| ITEM NUMBER | STOCK NUMBER | DESCRIPTION   | QTY RQD | UNIT OF MEASURE | REMARKS |
| 1           | GZ0016       | Circuit Breaker, type SF MCB 1PH 50A 6kA C1, (Including pole mounting enclosure-SPB1) | 1       | ea              |         |



|  |                                     |                    |                  |
|--|-------------------------------------|--------------------|------------------|
| <p><b>HORIZON</b><br/><b>POWER</b></p> <p>DISTRIBUTION DESIGN<br/>CATALOGUE</p> <p>OPERATIONS DIVISION</p> | COMPATIBLE UNIT                     | REVISION<br>2      | DATE<br>FEB 2020 |
|  | 3 PHASE WITH BOX<br>CIRCUIT BREAKER | DRAWING No<br>AB14 |                  |



| CU          |              | CU DESCRIPTION  |         |                 |         |
|-------------|--------------|---|---------|-----------------|---------|
| AB14        |              | Circuit breaker 3 phase with box  |         |                 |         |
| ITEM NUMBER | STOCK NUMBER | DESCRIPTION   | QTY RQD | UNIT OF MEASURE | REMARKS |
| 1           | GZ0017       | Circuit Breaker, type SF MCB 3PH 50A 6kA C1, (Including pole mounting enclosure-SPB1) | 1       | ea              |         |



|  |                              |                    |                  |
|--|------------------------------|--------------------|------------------|
| <b>HORIZON</b><br>POWER<br>DISTRIBUTION DESIGN<br>CATALOGUE<br>OPERATIONS DIVISION | COMPATIBLE UNIT              | REVISION<br>3      | DATE<br>FEB 2020 |
|  | TEE OFF LV BARE TO FUSED ABC | DRAWING No<br>AB18 |                  |

| CU        | CU DESCRIPTION                         |
|-----------|--|
| AB18_95AL | Tee off-LV bare_alumin to fused ABC 95 |

| ITEM NUMBER | STOCK NUMBER | DESCRIPTION                                      | QTY RQD | UNIT OF MEASURE | REMARKS    |
|-------------|--------------|--|---------|-----------------|------------|
| 1           | AB6024       | Eyebolt - 16 dia x 350 mm long with nut          | 1       | ea              |            |
| 2           | CC0100       | Strain clamp, 95-150 ABC                         | 1       | ea              |            |
| 3           | GS0111       | Fuse disconnecter (Rated 400A)                   | 1       | ea              |            |
| 3           | GS0109       | Neutral Block                                    | 1       | ea              |            |
| 4           | CC0101       | Suspension clamp, 95 ABC                         | 4       | ea              |            |
| 5           | CB3055       | Transformer harness support bracket              | 2       | ea              |            |
| 5           | N/A          | Bandit Strap (19 mm) (not included in CU)        | -       | N/A             | Truck item |
| 6           | CJ0494       | Splice 95 ABC with Al tail                       | 4       | ea              |            |
| 7           | CC0138       | Parallel-groove clamp Al-Al                      | 4       | ea              |            |
| 8           | AB6733       | Pole bolt M16 x 400 mm long with nut and washers | 2       | ea              |            |
| 9           | GF1096       | 200 Amps fuse link                               | 3       | ea              |            |

| CU        | CU DESCRIPTION                         |
|-----------|--|
| AB18_95CU | Tee off-LV bare_copper to fused ABC 95 |

| ITEM NUMBER | STOCK NUMBER | DESCRIPTION                                      | QTY RQD | UNIT OF MEASURE | REMARKS    |
|-------------|--------------|--|---------|-----------------|------------|
| 1           | AB6024       | Eyebolt - 16 dia x 350 mm long with nut          | 1       | ea              |            |
| 2           | CC0100       | Strain clamp, 95-150 ABC                         | 1       | ea              |            |
| 3           | GS0111       | Fuse disconnecter (Rated 400A)                   | 1       | ea              |            |
| 3           | GS0109       | Neutral Block                                    | 1       | ea              |            |
| 4           | CC0101       | Suspension clamp, 95 ABC                         | 4       | ea              |            |
| 5           | CB3055       | Transformer harness support bracket              | 2       | ea              |            |
| 5           | N/A          | Bandit Strap (19 mm) (not included in CU)        | -       | N/A             | Truck item |
| 6           | CJ0492       | Splice 95 ABC with Cu tail                       | 4       | ea              |            |
| 7           | CC0130       | Parallel-groove clamp Cu-Cu                      | 8       | ea              |            |
| 8           | AB6733       | Pole bolt M16 x 400 mm long with nut and washers | 2       | ea              |            |
| 9           | GF1096       | 200 Amps fuse link                               | 3       | ea              |            |

| CU         | CU DESCRIPTION                          |
|------------|---|
| AB18_150AL | Tee off-LV bare_alumin to fused ABC 150 |

| ITEM NUMBER | STOCK NUMBER | DESCRIPTION                                      | QTY RQD | UNIT OF MEASURE | REMARKS    |
|-------------|--------------|--|---------|-----------------|------------|
| 1           | AB6024       | Eyebolt - 16 dia x 350 mm long with nut          | 1       | ea              |            |
| 2           | CC0100       | Strain clamp, 95-150 ABC                         | 1       | ea              |            |
| 3           | GS0111       | Fuse disconnecter (Rated 400A)                   | 1       | ea              |            |
| 3           | GS0109       | Neutral Block                                    | 1       | ea              |            |
| 4           | CC0110       | Suspension clamp, 150 ABC                        | 4       | ea              |            |
| 5           | CB3055       | Transformer harness support bracket              | 2       | ea              |            |
| 5           | N/A          | Bandit Strap (19 mm) (not included in CU)        | -       | N/A             | Truck item |
| 6           | CJ0496       | Splice 150 ABC with Al tail                      | 4       | ea              |            |
| 7           | CC0138       | Parallel-groove clamp Al-Al                      | 4       | ea              |            |
| 8           | AB6733       | Pole bolt M16 x 400 mm long with nut and washers | 2       | ea              |            |
| 9           | GF1101       | 315 Amps fuse link                               | 3       | ea              |            |

| CU         | CU DESCRIPTION                          |
|------------|---|
| AB18_150CU | Tee off-LV bare_copper to fused ABC 150 |

| ITEM NUMBER | STOCK NUMBER | DESCRIPTION                                      | QTY RQD | UNIT OF MEASURE | REMARKS    |
|-------------|--------------|--|---------|-----------------|------------|
| 1           | AB6024       | Eyebolt - 16 dia x 350 mm long with nut          | 1       | ea              |            |
| 2           | CC0100       | Strain clamp, 95-150 ABC                         | 1       | ea              |            |
| 3           | GS0111       | Fuse disconnecter (Rated 400A)                   | 1       | ea              |            |
| 3           | GS0109       | Neutral Block                                    | 1       | ea              |            |
| 4           | CC0110       | Suspension clamp, 150 ABC                        | 4       | ea              |            |
| 5           | CB3055       | Transformer harness support bracket              | 2       | ea              |            |
| 5           | N/A          | Bandit Strap (19 mm) (not included in CU)        | -       | N/A             | Truck item |
| 6           | CJ0493       | Splice 150 ABC with Cu tail                      | 4       | ea              |            |
| 7           | CC0130       | Parallel-groove clamp Cu-Cu                      | 8       | ea              |            |
| 8           | AB6733       | Pole bolt M16 x 400 mm long with nut and washers | 2       | ea              |            |
| 9           | GF1101       | 315 Amps fuse link                               | 3       | ea              |            |

## APPENDIX A – REVISION INFORMATION

(Informative) Horizon Power has endeavoured to provide standards of the highest quality and would appreciate notification if any errors are found or even queries raised.

Each Standard makes use of its own comment sheet which is maintained throughout the life of the standard, which lists all comments made by stakeholders regarding the standard.

The document **DM# 2303931** can be used to record any errors or queries found in or pertaining to this standard, which can then be addressed whenever the standard gets reviewed.

| Date       | Rev No. | Notes   |
|------------|---------|---|
|            | 0       | Western Power Supplied  |
| 01/07/2009 | 1       | Original Horizon Power issue  |
| 11/01/2012 | 2       | Changes to Document Control   |
| 17/09/2013 | 3       | Changes to Document Control and Drawings  |
| 21/01/2014 | 4       | Change to Document format   |
| 14/09/2018 | 5       | Update Stock number changes for AB3, AB4, AB5, AB6, AB18<br>FSDO options added for AB4.<br>AB18 added.<br>Band-it strap added to catalogue only for reference.<br>Stock item descriptions updated for consistency |
| 23/06/2020 | 6       | AB3_95 List updated:<br>Added CC0101 and AB4600.<br>AB3_150 List updated:<br>Added CC0110 and AB4600.<br>AB13 Drawing updated with box.   |