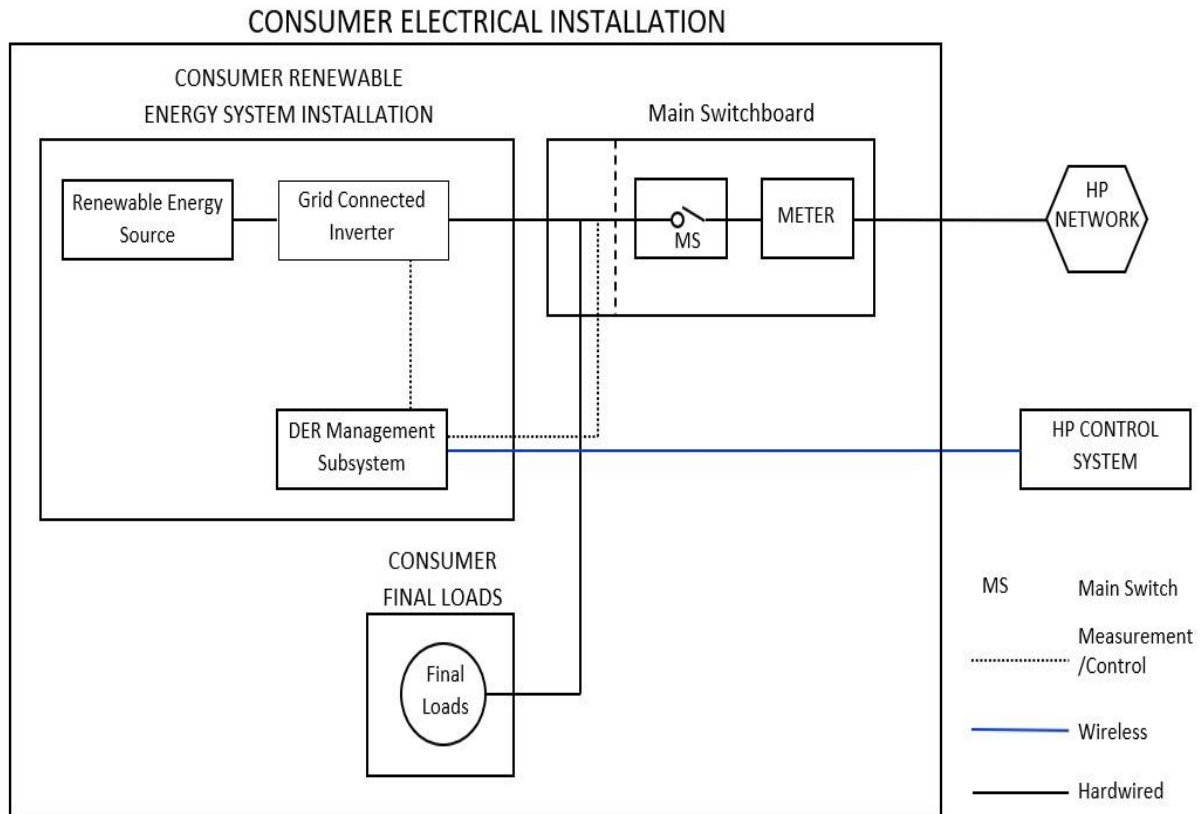


SCHEDULE 2. SYSTEM DIAGRAM

*****SAMPLE ONLY*****



NOTE: Indicative layout only. To be read in conjunction with AS/NZS 3000, AS/NZS 4777.1 and WASIR